



सरदार स्वर्ण सिंह राष्ट्रीय जैव ऊर्जा संस्थान

(नवीन और नवीकरणीय ऊर्जा मंत्रालय, भारत सरकार का एक स्वायत्त संस्थान)

12 कि.मी. स्टोन, जालंधर-कपूरथला रोड, वडाला कला, कपूरथला (पंजाब) 144603

फोन: 01822-507406, ईमेल: sss.nibe@nibe.res.in, वेबसाइट: <https://nibe.res.in>

Sardar Swaran Singh National Institute of Bio-Energy

(An Autonomous Institute of Ministry of New and Renewable Energy, Government of India)

12 K.M. Stone, Jalandhar-Kapurthala Road, Wadala Kalan, Kapurthala (Punjab) 144603

Phone: 01822-507406, email: sss.nibe@nibe.res.in, Website: <https://nibe.res.in>



TENDER NOTICE

(Tender No. 348-24/26/2022-CVM)

Subject: Furnishing of Molecular Biology lab (R&D-II) at SSS-NIBE Kapurthala

1. On behalf of the Director General, Sardar Swaran Singh National Institute of Bio-energy (SSS-NIBE) Kapurthala, tenders are invited in Two Bid System from the reputed and well experienced agencies for Furnishing of of Molecular Biology labat SSS-NIBE Kapurthala. The tender may be submitted at SSS-NIBE in one sealed envelope duly super scribed on top “Tender for Furnishing of Molecular Biology lab (R&D-II) at SSS-NIBE Kapurthala” containing two sealed envelopes marked “Technical Bid” & “Financial Bid”: Envelop- I: (Technical Bid), Envelop -II: (Financial Bid).
2. The tender documents may please be downloaded from the website <http://eprocure.gov.in/eprocure/app>, <https://mnre.gov.in> and <https://nibe.res.in>.
3. The terms and conditions of the bid are enclosed which should be carefully noted and complied with. Specification and description of work is given in BOQ which must be used for quoting rates.

Director General, SSS-NIBE

2. CRITICAL DATE SHEET

Date of Issue/Publication of Tender	22.12.2023 (10:00 AM)
Bid Document Download Start Date	22.12.2023 (10:00 AM)
Bid Submission Start Date	22.12.2023 (10:00 AM)
Last Date and Time for submitting email queries regarding technical specifications and other conditions of tender document	15.01.2024(01:00 PM)
Pre-Bid Meeting Date, Time & Venue	05.01.2024 (11:00 AM) SSS-NIBE, Kapurthala
Last Date and Time for Submission of Bids	15.01.2024(03:00 PM)
Place of Submission (In case of offline submission)	The Tender documents should be submitted to “The Director, General, Sardar Swaran Singh National Institute of Bio - Energy, Jalandhar-Kapurthala Road, Wadala Kalan, Kapurthala (Punjab) 144601.
Technical Bid Opening Date	16.01.2024(11:00 AM), SSS-NIBE
Financial Bid Opening Date	17.01.2024(11:00 AM), SSS-NIBE
Tender Processing Fees (Non-Refundable)	Rs. 500/- (Rupees five handed only) by Demand Draft / Bank Guarantee in favour of “Sardar Swaran Singh National Institute of Renewable Energy” payable at Kapurthala, Punjab.
Earnest Money Deposit (EMD)	Rs. 26,000/- (Rupees Twenty Six Thousand only) by Demand Draft / Bank Guarantee in favour of “Sardar Swaran Singh National Institute of Renewable Energy” payable at Kapurthala, Punjab.
Contract Performance Guarantee (CPG) (For successful bidders only)	The successful bidder’s EMD amount will be retained by the Institute as performance Security deposit for one year.

3. Terms & Conditions

- 3.1. Definitions:** the contract document consists of the agreement, the special and general conditions of the contract, specifications and bills of quantities.
- (a) The site: shall mean the site of contract work at Sardar Swaran Singh National Institute of Renewable Energy, Kapurthala, Punjab
 - (b) Sub-Contractor: includes those who have a direct contract with the CONTRACTOR.
 - (c) Owner: Director General, Sardar Swaran Singh National Institute of Renewable Energy, Kapurthala, Punjab.
 - (d) Work: the term “work” includes both labour and material of the CONTRACTOR/Sub-Contractor.
 - (e) Law: Law of the place of work shall govern the construction under this contract.
 - (f) Contract documents: shall consist of the following: Articles of agreement, General and special conditions of contract, technical specifications and Bills of quantities
- 3.2.** On the award of any work order under this work, the contractor shall immediately proceed with the preparation of drawing according to the work order to be carried out. Two sets of such working drawings including make of all items shall be submitted to the institute for its approval to ensure that work will be carried out in accordance with specification and proposed drawing including such changes as may have been mutually agreed upon. All the drawing shall be received by the In-Charge for his approval within 07 days of award of work. Also, the contractor must furnish detailed bar chart showing the various activity w.r.t. time and must organize co-ordination meeting at the site to review the progress of work.
- 3.3.** Time is the essence of the contract. The time allowed for the work shall be strictly followed otherwise the Contractor shall be liable to pay compensation at the rate of 0.2 % of the ordered value of the work per day of delay on the part of the contractor subject to a maximum of 5 % of the total ordered value. The decision of the institute about the delay shall final and binding.
- 3.4.** If the contractor after award of work fails to deliver any item / part of the work within the time period allowed, institute reserves the right to remove that particular component from the scope of main contractor and get it done through some alternative resources at the cost of main contractor.
- 3.5.** All work under or in course of execution or being executed in pursuance of the contract shall at all times be open to inspection and supervision by the institute and his authorized subordinates, and the Contractor shall at all times during the usual working hours, and at all other times at which reasonable notice of the intention of the In-charge or his subordinate to visit the works shall have been given to the contractor, either himself be present to receive

order and instructions, or have a responsible agent duly accredited in writing, present for that purpose. Order given to the contractor's agent shall be considered to have the same force as if the same had been given to the Contractor himself.

- 3.6.** Institute and/or its nominated representative(s) will, inspect and/or test the work / material to confirm their conformity to the tender specification at no extra cost to the Institute. The Inspection Authority to be designated by the Institute shall specify what inspections and tests are required and where they are to be conducted. The Institute shall notify the contractor in writing in a timely manner of the identity of any representatives retained for this purpose. All work / material shall be tested as stipulated in the latest specification of, Govt. /institutes.
- 3.7.** The inspections and tests may be conducted on the premises of the tenderer or its subcontractor(s) or at the point of delivery. If conducted on the premises of the tenderer or its subcontractor(s), all reasonable facilities and assistance, including access to drawings and production data shall be furnished to the Inspectors at no charge to the institute.
- 3.8.** The representative of institute shall inspect or test the items, which fail to conform to the specifications. The institute may reject such items and the tenderer shall replace the rejected items, at no cost to the institute, within a stipulated time period.
- 3.9.** The Institute's right to inspect, test and where necessary, reject the items after its arrival at the final destination shall in no way be limited or waived by reason of the items having previously been inspected, tested and passed by the institute or its representatives.
- 3.10.** No payment shall be made for rejected items. Rejected items must be removed by the contractor within one weeks of the date of rejection at their own cost and replace immediately. In case these are not removed, these will be auctioned at the risk and responsibility of the contractor without any further notice.
- 3.11.** All materials and work, whether at the site or in the contractor's /Sub-Contractor's premises shall be subject to inspection and test by the Director General (or authorized representative). Any materials, equipment, etc. brought to the site and found to be not satisfactory in accordance with the agreement, shall be rejected by the Director General (or authorized representative) and the contractor shall remove the materials from the site within the period specified. The contractor shall take adequate steps to rectify the defects or to replace such materials and work which have failed during inspection /testing. The contractor shall not be entitled to any extension of time or extra cost for rejection as per above.
- 3.12.** In the case of extra item(s) (items that are completely new, and are in addition to the items contained in the contract), the contractor will submit rates, supported by rate analysis, for the work and the Director General after giving consideration to the analysis of the rates

submitted by the contractor, will determine the rates on the basis of the market rates and the contractor shall be paid in accordance with the rates so determined.

- 3.13.** The work shall be carried out as per specifications in the Tender schedule/ latest C.P.W.D./DSR Specifications and IS code, along with the correction slips; issued up to date of acceptance of Tender in case of doubt the decision of the Engineer/ designated authority or committee of the Institute shall be final and binding on the CONTRACTOR.
- 3.14.** The work shall be carried out in accordance with the phasing plan approved by the institute authorities to avoid disturbance to the normal working of the Institute. The CONTRACTOR will prepare and submit a Phasing Plan of all work activities with targeted dates of completion for all the work activities and get it approved from the institute authorities.
- 3.15.** The work is required to be completed within a period of 90 days from issue of work order. No labor or material rate escalation claims will be entertained from the CONTRACTOR in case of any delay of work.
- 3.16.** The contractor shall have to remove all waste (Melba) and other unwanted material from site of work before handing over the installation to the institute. The work shall not be treated as complete in all respects unless these requirements are fulfilled by him. In the event of contractor failing to do so, the institute shall have right to get the site cleared at the cost of contractor.
- 3.17.** Institute shall provide power & water at one point for the proper execution of the work free of cost under normal circumstances if available at site.
- 3.18.** CONTRACTOR are advised to inspect and examine the site and the surroundings and satisfy themselves before submitting their Tender as to the nature of the work (so far as practicable), the form and the nature of the site, the means of access to the site, the accommodation they may require and in general shall themselves obtain necessary information as to the risks, contingencies and other circumstances which may influence or affect their Tender. CONTRACTOR shall be deemed to have full knowledge of the site, whether he inspects it or not and no extra charge consequent to any misunderstanding or otherwise shall be allowed.
- 3.19.** The CONTRACTOR shall be responsible for any damage to the equipment or structures, injury to the personnel during the progress of the work and he shall be liable to pay compensation as may be decided by the Director or his authorized representative in respect of such damages /injuries.
- 3.20.** CONTRACTOR are advised to inspect and examine the site and the surroundings and satisfy themselves before submitting their Tender as to the nature of the work (so far as practicable), the form and the nature of the site, the means of access to the site, the accommodation they

may require and in general shall themselves obtain necessary information as to the risks, contingencies and other circumstances which may influence or affect their Tender. CONTRACTOR shall be deemed to have full knowledge of the site, whether he inspects it or not and no extra charge consequent to any misunderstanding or otherwise shall be allowed.

- 3.21.** The CONTRACTOR shall be responsible for any damage to the equipment or structures, injury to the personnel during the progress of the work and he shall be liable to pay compensation as may be decided by the Director or his authorized representative in respect of such damages /injuries.
- 3.22.** Schedules of quantities given in the contract bill are provisional and are meant to indicate the intent of the work and to provide a uniform basis for the contract. The Owner reserves the right to increase or decrease any of the quantities or to totally omit any of them. CONTRACTOR shall be bound to carry out the same without claiming any extras.
- 3.23.** The serviceable materials out of the dismantled materials, if any, will be the property of the institute and properly stacked by the CONTRACTOR as directed by the institute. Decision of Director General or his authorized representative on the serviceability of the dismantled materials shall be final and binding on the CONTRACTOR.
- 3.24.** All labor employed by the Contractor shall be covered by the workman's compensation act. Any death, injury or mishap to the workmen of the Contractor will entirely be the Contractor's responsibility and the institute, shall not be liable to pay any damages for the same.
- 3.25.** Contractor shall take adequate safety precautions to avoid any accident etc. at site. He shall erect proper barricades, sign boards, lights, etc. shall provide safety belts, safety shoes, head gears (all I.S.I standard) and shall be fully responsible for any criminal & civil liabilities. All safety arrangements are to be made by contractor at his own cost.
- 3.26.** The rates quoted in the tender shall include all charges for clearing of site before commencement and after completion, necessary scaffolding equipment, storage sheds, security and safety as well as working on all days including Sunday and holidays, protection of the public and safety of adjacent roads, walls, houses and buildings etc. The contractor shall take down and remove any or all such scaffolding, etc. as occasion shall require or when ordered to do so and fully reinstate all things disturbed during the execution of the work to the satisfaction of the institute.
- 3.27.** Director General, Sardar Swaran Singh National Institute of Bio-Energy reserves the right to decrease the items of work, change the specifications of works or remove the entire section of work as may be deemed necessary to finish the works within the available budget.
- 3.28.** Whether specified elsewhere in the Agreement or not, the contractor shall provide all

materials (including steel and cement unless specifically spelt out in the agreement otherwise), labours of every description, energy and water and all tools, tackles, plant and transport necessary for proper execution of the work to the entire satisfaction of the owner.

- 3.29.** Taxes: Service tax, purchase tax, turnover tax, income tax or any other tax applicable in respect of this contract shall be payable by the Contractor and SSS-NIBE will not entertain any claim whatsoever in respect of the same except GST.
- 3.30.** The Contractor shall, in respect of labour employed by him either directly or through subcontractors, comply with or cause to be complied with the following statutory provisions and rules and in regard to all matters provided therein and any other law or modifications made there under from time to time.
- (a) The Contract Labour (Regulation & Abolition) Act 1970
 - (b) The Minimum Wages Act 1948 and related Central Rules.
 - (c) The Payment of Wages Act 1936 and related Central Rules.
 - (d) The Employee's Provident Fund & Miscellaneous Provisions Act 1952.
 - (e) The Employees State Insurance Act 1948.
 - (f) The Workmen Compensation Act 1923.
 - (g) The Industrial Disputes Act 1947.
 - (h) The payment of bonus act 1965
- 3.31.** If the Contract work or any portion thereof, at any time, is found to be defective or fails to fulfill the requirements of the agreement, the Director General shall give the contractor notice in writing setting forth of such defects or failure and the contractor shall forthwith make good the defects or replace or alter the same to make it comply with the requirements of the agreement.
- 3.32.** All materials and work, whether at the site or in the contractor's /Sub-Contractor's premises shall be subject to inspection and test by the Director General (or authorized representative). Any materials, equipment, etc. brought to the site and found to be not satisfactory in accordance with the agreement, shall be rejected by the Director General (or authorized representative) and the contractor shall remove the materials from the site within the period specified. The contractor shall take adequate steps to rectify the defects or to replace such materials and work which have failed during inspection /testing. The contractor shall not be entitled to any extension of time or extra cost for rejection as per above.
- 3.33.** In the case of extra item(s) (items that are completely new, and are in addition to the items contained in the contract), the contractor will submit rates, supported by rate analysis, for the work and the Director General after giving consideration to the analysis of the rates submitted by the contractor, will determine the rates on the basis of the market rates and the contractor

shall be paid in accordance with the rates so determined.

- 3.34.** Maintenance guarantee / Defects liability period: Maintenance Guarantee period will be one year from the actual date of completion and handing over to the OWNER.
- (a) The CONTRACTOR guarantees that within the maintenance guarantee period, the contract work shall not show any signs of defects, cracks, settlements, disfigurations, shrinkage, leakage, dampness or any other defects
 - (b) The CONTRACTOR shall maintain and satisfactorily execute, at his own cost, all such works of repair, amendment, re-construction, rectification, replacement and any other work to make good the faulty work as stated in Article (a) during the maintenance guarantee period.
 - (c) At the end of the maintenance guarantee period, the CONTRACTOR, along with Director General(or authorized representative) shall carry out final inspection of the contract work to prove that no defects had appeared or that all defects which appeared in the contract work have been rectified to the entire satisfaction of the Institute. If during the final inspection it is found that the defects still remain in the contract work, the period of maintenance guarantee shall be extended at the discretion of the Institute and the CONTRACTOR shall be liable to make good the defects and be responsible for the maintenance of the work till the defects have been fully rectified.
 - (d) Upon successful completion of the maintenance guarantee period the Director General shall issue final acceptance certificate to the CONTRACTOR
- 3.35.** The Institute may withhold or on account of subsequently discovered evidence nullify the whole or part of any certificate to such an extent as may be necessary in his reasonable opinion to protect the Owner from loss, for defective work, non- payment to Subcontractors, or other claims connected to this work.
- 3.36.** The Contractor shall indemnify the Owner against any liability, loss, claim or proceedings whatsoever arising under any statutory or common law in respect of personal injury to or the death of any person, whomsoever arising out of or in the course of or caused by carrying out the work.
- 3.37.** Contractor shall not employ child labour under 18 years of age and if female workers are employed, he should make provision for safeguarding the small children to keep them clear of the site. All labour shall wear proper safety gear to protect them from any head injury.
- 3.38.** In respect of all labour directly or indirectly employed in the work for the performance of the contractor's part of this contract, the contractor shall at his own expense arrange for the safety provisions as per C.P.W.D. Safety Code framed from time to time and shall at his own expense provide for all facilities in connection therewith.
- 3.39.** Force majeure: In the event of either party being rendered unable by Force Majeure to

perform any obligation required to be performed by them under the contract, the relative obligation of the party affected by such Force Majeure shall be suspended for the period during which such cause lasts.

The term “Force Majeure” as employed herein shall mean acts of God, War, Civil Riots, Fire affecting the performance of the Contract, Flood and Acts and Regulations of respective government of the two parties, namely Sardar Swaran Singh National Institute of Bio-Energy, Kapurthala and the Contractor.

3.40. Upon the occurrence of such cause and upon its termination, the party alleging that it has been rendered unable as aforesaid thereby, shall notify the other party in writing, the beginning of the cause amounting to Force Majeure as also the ending of the said clause by giving notice to the other party within 72 hours of the ending of the cause respectively. If deliveries are suspended by Force Majeure conditions lasting for more than 2 (two) months, Sardar Swaran Singh National Institute of Bio-Energy, Kapurthala shall have the option of cancelling this contract in whole or part at its discretion without any liability at its part. Time for performance of the relative obligation suspended by Force Majeure shall then stand extended by the period for which such cause lasts.

3.41. Arbitration: All matters connected with this shall be governed by the Indian law both substantive and procedural, for the time being in force and shall be subject to the exclusive jurisdiction of Indian Courts at Punjab. In case of dispute, the difference of opinion on any matter pertaining to the works, the decision of the Director General / Institute shall be final and binding on the contractors and the owners. If either party is not satisfied with the decision, within 28 days, a notice to this effect will be sent to the Institute in writing. Decision of Director General, Sardar Swaran Singh National Institute of Bio-Energy, Kapurthala shall be final and binding in this regard.

4. Instructions for bid submission:

4.1. “Technical Bid” shall comprise of all documents as per Annexure-I (Performa for Technical Bid) and Tender Clause 2 (Eligibility Criteria), and undertaking of blacklisting (Annexure IV)

4.2. Each page of tender document must be numbered and signed by the bidders with rubber stamp of the firm affixed on each and every page.

4.3. Payment Terms: Payments to the contractor shall be made as per the GFR rules. The EMD amount will be retained by the Institute as performance security deposit for one year.

4.4. The rates quoted in the BoQ will be valid for a minimum 90 days from the date of Financial bid opening.

4.5. Bids shall be submitted at the institute. Bidders shall submit their bids well before the bid submission end date & time (as per Server System Clock). Bidder will be solely responsible for any delay due to any issues.

- 4.6. Downloaded tender documents, including annexure and templates should not be tampered/ modified in any manner. If the same is found, the tender will be completely rejected, EMD would be forfeited and the bidder will be blacklisted.
- 4.7. Intending bidders are advised to visit the Institute website www.nibe.res.in, www.mnre.gov.in and CPP Portal <https://eprocure.gov.in/eprocure/app> on regular basis, and at least 3 days prior to closing date of submission of tender for any corrigendum / addendum/ amendment at any stage.
- 4.8. SSS-NIBE reserves right to accept or reject any or all tenders without assigning any reason and also to change/relax any of the terms and conditions of the tender.

5. Opening of bids and evaluation

5.1. Opening and Evaluation of Technical bid

- 5.1.1. The Technical Bid will be opened on stipulated date and time. In case the date of technical bid opening is declared a holiday, the bids will be opened on the next working day at the same time.
- 5.1.2. Evaluation of technical bid will be done by the technical committee constituted by the Director General, and shall comprise assessment of all documents as per Annexure-I and Tender Clause 2 (Eligibility Criteria).
- 5.1.3. The Technical committee will conduct antecedent verification of the provisionally qualified agencies. The agency will have to produce all the technical bid documents in original to the Technical Committee, if required. The Committee may also decide to visit/inspect the offices and as well as the sites of the eligible agencies for verification of antecedents.
- 5.1.4. Bidder can send their representations to the Director General, SSS-NIBE, Kapurthala on the email ID sss.nibe@nibe.res.in within 24 hours following update of evaluation status i.e. reject/accept bids. The Committee decision on representation will be considered final. Representations beyond the stipulated time period will not be entertained. Representation sent on any other email address or received from other mode/source will not be entertained/ considered.
- 5.1.5. Each of the prospective tenderers, who submit their bid for this tender, shall be required to deposit its sample of material for mockup screening at institute office during the evaluation of its Technical bid (i.e. just after opening of Technical bid the tenderers will be intimated his mockup schedule to institute). He may also be required to give the brief technical specification details & presentation to the Bid Evaluation Committee Members during such mockup show for those items he has submitted his bid to institute for technical acceptability as per the tender specifications, failing which bid shall be liable to be rejected. All the cost for organizing such requested mockup show at institute shall be solely borne by the prospective

tenderers himself. Institute shall not pay or bear any cost regarding the same.

5.2. Rejection of Technical bid

The technical bids submitted shall become invalid/be rejected in case of the following:

- 5.2.1.** The bidder does not fulfill Minimum Eligibility Criteria as per the tender document and Technical Bid Annexure-I.
- 5.2.2.** The bidder has not requisite documents, certificates, EMD, Annexure in tender format etc.
- 5.2.3.** The documents/Certificates/Registrations are found not valid at the last date of submission.
- 5.2.4.** If, the Technical Committee recommends rejection after antecedent verification.
- 5.2.5.** Non-submission of valid registrations and certificates
- 5.2.6.** Turnover found below the minimum requirement as per tender document and Turnover claim documents like Auditor Report or Certificate for annual Turnover not attached.
- 5.2.7.** Non-submission of Complete Tender Documents and requisite Annexure in the given format duly filled and signed on agency letterhead.
- 5.2.8.** Experience Certificate not as per Tender Clause.
- 5.2.9.** Non-submission of EMD.

5.3. Evaluation of Financial bids

- 5.3.1.** The Financial Bid Quotation must be submitted in the submitted BOQ file as sought in the enclosed Annexure II. Any modification/tampering with the BOQ file shall lead to disqualification.
- 5.3.2.** The rates must be quoted as detailed in Annexure-II covering the entire activity and consumables required as per the scope of the work. Rates agreed upon shall remain the same throughout the period of the contract.
- 5.3.3.** In case of a tie among the bidders in the financial bid (BOQ), then L1 will be decided in chronological order as below:
 - i.** The bidder having average highest overall turnover during financial year 2019-20, 2020-21 & 2021-22. In case of more than 1 bidder having equal average highest turnover and longest experience then, L1 will be decided as per below Clause iv below.
 - ii.** The bidder who has the maximum experience in similar civil work (number of contracts ongoing/completed) in the Central Govt./State Govt./ Central Universities or State Govt. Universities/ Affiliated or Constituent institutes/ Autonomous Bodies/ Government/Public Sector Undertaking in the financial year 2019-20, 2020-21 and 2021- 22 will be L1.
 - iii.** In case the tie still persists, the decision of the Evaluation Committee shall be final and binding upon the parties.

5.4. Rejection of the Financial Bid

- i. The Financial bid submitted shall be come in valid/ be rejected in the following cases.
- ii. Non-responsive financial bid.
- iii. Non-submission of BOQ file.
- iv. If bid is found non-realistic.

5.4.1. As per the recommendation of the Technical Committee after evaluation of the financial bids.

5.4.2. Bidders are requested to study the terms and conditions of the tender document carefully and submit their bid accordingly. Any tender/quotation received against this tender and any contract resulting from this tender shall be governed by the terms and conditions indicated in the tender document and all the bidders quoting against this tender shall be deemed to have read, understood, and accepted the same. No clarification shall be entertained after receiving the bids.

5.4.3. Sardar Swaran Singh National Institute of Bio-Energy is under no obligation to accept the lowest tender and shall be entitled to reject any tender without assigning any reason whatsoever

6. Pre-bid meeting

It is advice for the bidder to attend pre-bid meeting for understanding the requirements, Site-visit to be done on 05.01.2024(11:00 AM) at SSS-NIBE.

TECHNICAL BID
(Tender No. 348-24/26/2022-CVM)

Subject: Furnishing of Molecular Biology lab (R&D-II) at SSS-NIBE Kapurthala

Eligibility Criteria for Quality the Technical Bid

- (i) The bidder/agency must fulfill the following mandatory minimum eligibility criteria and submit all the supporting documents duly signed by the authorized signatory at the time of bidding, failing which will lead to disqualification of the bid:-
- (ii) **Valid Certificates of Statutory Registrations:**
- (a) Company Registration Certificate and Complete company profile.
 - (b) Valid Registration under GST and GST Number.
 - (c) Valid Agency/Company PAN Number.
- (iii) **Financial Eligibility:** Overall minimum annual turnover must be Rs. 15 lakhs during last three financial years (2020- 2021, 2021-2022, 2022-2023). Income tax returns (ITR) of last three financial years should be submitted as proof of annual turnover.
- (iv) **Technical Eligibility:** - Experience in successful execution of works in the Central or State Governments or PSU's, Universities and Institution during last 7 years ending on 31.3.2023 for the following executed at least one similar work of value not less than Rs. 15 Lakh OR Executed Two similar works of each value not less than Rs. 08 lakh OR Executed Three Similar works of each value not less than Rs. 05 lakh. "Similar work" Repairing & renovation of civil job along with furniture's supply or new civil job along with fabrication jobs etc. For valuation of Technical eligibility of bidder as per above, bidder should submit copy of P.O. & Completion certificate etc along with Technical Bid. However, relaxation in experience & turn-over will be applicable to start-up and MSEs as per norms. The details of the contracts handled during the last five years should be filled in the prescribed format as per Annexure III.

If it is subsequently established or found that the bidding firm has given any false information or facts or has suppressed facts or manipulated the documents etc., the Earnest Money Deposit or the Performance Security Deposit, as the case may be, will be forfeited and no excuse whatsoever will be entertained thereafter.

Annexure-I
PROFORMA FOR TECHNICAL BID

1.	DETAILS of COMPANY/FIRM/ORGANISATION/ CONTRACTOR	
a.	Name	
b.	Registered Address	
c.	Contact person/s Name, Designation, Contact number, Email ID	
2.	Type of Firm (Please tick and enclose copy of Memorandum/ Articles of Association/ Certificate of Incorporation)	
3.	PAN Number (Please enclose attested photocopy)	
4.	GSTIN Number (Please enclose attested photocopy)	
5.	Annual Turnover for the last 3 financial years (refer to Eligibility Criteria in tender document for details)	Mention enclosures (Enclose copies of attested audited balance sheet and P&L A/c)
6.	Experience of similar work in the field during the last three years (Refer to Eligibility Criteria for details)	Mention enclosures (Enclose copies of documentary evidence.g. work order and corresponding satisfactory job completion certificates from clients specifying value and period of work order)
11.	Earnest Money Deposit (EMD) Details	
	D.D.No.	
	Date	
	Amount	
	Drawn on bank	

Note: Antecedents of the agency/bidder shall be verified by the Technical Committee of the Institute and only on the basis of the satisfactory report of this Committee; the Financial Bid will be opened.

Place:

Date: _____ Name and Signature of Authorized signatory (along with official seal)

Annexure II

FINANCIAL BID Scope of work and undertaking

I/We..... of
..... hereby agree, subject to acceptance of this tender by Sardar Swaran Singh National Institute of Bioenergy Institute, to carry out the following construction work in accordance with the specifications, terms and conditions of the contract as stated in the tender document at the rates and prices quoted in the Bill of Quantities:

Bill of Quantity and Technical Details		
S. No.	Description and Specification	Quantity
1.	S/F of Nucleus lab with island unit with drawers and sink and tap with granite top complete with electrical and plumbing work all complete (LAB furniture technical specifications attached) The Product should be Quality standards of (ISO 9001, 14001 and 45001), Safety norms (OHSAS 18001), Environment Norms (Green Guard, GRIHA, BIFMA), Ergonomic and health standards (AIOTA) and Make in India	01 No. As per below attached drawing & specification
2.	Revolving lab Stool with height adjustment and Back Hi Base The Product should be Quality standards of (ISO 9001, 14001 and 45001), Safety norms (OHSAS 18001), Environment Norms (Green Guard, GRIHA, BIFMA), Ergonomic and health standards (AIOTA) and Make in India	04 Nos. As per attached drawing Specification & Pick
3.	Supply and Fixing of Glass doors with Frame and Partition: (heavy duty 14 gauge 4" frame aluminium powder coated frame with 6 mm toughened plane glass in strip etching) with 5mm Bakelite sheet complete with hi quality central lock, handle, stopper and hydraulic door closer (2 nos. doors approximate area 170 sq. ft.)	01 Nos.
4.	S/F of Air Curtain: Product Dimension: LBH 900X230X215mm Colour: White, Wall mounting, Power Consumption: 450W, Input Voltage: 30V/50hz/ Single phase, Motor : One ¼ hp double shaft +one 1/6hp single shaft, double-speed RPM-2650, Metal sheet with powder coating finish Three blower , centrifugal type ABS, with cover, Air velocity :18 to 21(m/s), Air volume: 2027 (m3/h) Noise Level: 54DB	01 No.

5.	Supply and installation of customized Roller Window Blinds: Supplying fitting and fixing Roller Blind with 100% Polyester fabric (of Revolving Translucent type and grade FB-258 of Marvel make or equivalent make having same colour, shade and texture). Nominal thickness of fabric shall be 0.60 mm and nominal weight 255 grams per square metre, hanging excellent hanging properties and very high tearing strength, Coating of the fabric shall be of Acrylic, which shall be resistant to cracking and fraying. The fabric shall be suspended from the top channel made of extruded anodised alloy of 1.25 mm nominal thickness and 38 mm nominal diameter. For opening less than 1200 mm, the top channel may be provided with 32 mm nominal diameter. The top channel shall be fixed with powder coated mild steel brackets with clutch assembly on either end of blind, fixed to jambs of the window opening with 50 mm stainless steel screws and to the aluminum window with 25 mm stainless steel screws.	90 Sq. ft.
----	--	------------

Name and Signature of Authorized signatory (along with official seal):

Place:.....

Date:.....

Scope of work and undertaking

I/We ofhereby agree, subject to acceptance of this tender by Sardar Swaran Singh National Institute of Bio-energy Institute, to carry out the following construction work in accordance with the specifications, terms and conditions of the contract as stated in the tender document at the rates and prices quoted in the Bill of Quantities:

Name and Signature of Authorized signatory (along with official seal):

.....

Place:.....

Date:.....

Annexure - IV

DECLARATION AND UNDERTAKING FOR BLACKLISTING

To
The Director General
SSS- National Institute of Bio-energy, Kapurthala,
Punjab – 144 603

Sir,
I/We,the undersigned bidder, have carefully read and examined the entire tender document for Establishment of centralized store in C&F Blockat Sardar Swaran Singh National Institute of Bio-energy, Kapurthala. We accept all the terms & conditions mentioned in the tender document and also do hereby declare:

1. That we have not been blacklisted/debarred by CBI or any law enforcement agencies/Government organization/Department/Autonomous Bodies/Public Sector or no any case of blacklisting etc. is pending against the firm at the time of submission of tender.
2. That the tender submitted by us is properly prepared, signed and sealed so as to prevent any subsequent alteration and replacement.
3. That if I/We fail to commence the specified service or fail to furnish the Performance Security deposit within two weeks from the date of issue of award to contract offer, if selected, I/We agree that SSS-NIBE, without prejudice to any other right or remedy available to the Institute, be at liberty to forfeit the said earnest money absolutely and reject the tender as per the terms and conditions contained or referred in the tender Document.
4. That the information / documents furnished along with the above application are true and authentic to the best of my knowledge and belief. I / we, am / are well aware of the fact that furnishing of any false information/fabricated document would lead to rejection of my tender at any stage besides liabilities towards prosecution under appropriate law.

For and on behalf of the firm (Firm's Name &Address)

(Signature of Authorized Signatory)

Annexure - V

FORMAT FOR DETAILS OF CONTRACTS SUCCESSFULLY HANDLED DURING LAST THREE YEARS

Details of contracts with Central Govt./State Govt/ Central Universities or State Govt. Universities/ Affiliated or Constituent institute s/ Autonomous Bodies/ Government Public Sector Undertaking handled

by the tendering agency for rendering construction work during the last three years (2020-21, 2021-22, 2022-23) in the following format.

(Please enclose attested copies of the work/contracts awarded during the last three years)

S.No	Details of client along with address And contact details	Duration of Work	Amount (Lakh per year)

Name and Signature of Authorized signatory (along with official seal):

.....
.....

Date:

TECHNICAL SPECIFICATIONS OF NUCLEUS LAB WITH ISLAND UNITS

D-FRAME LAB BENCH SYSTEM

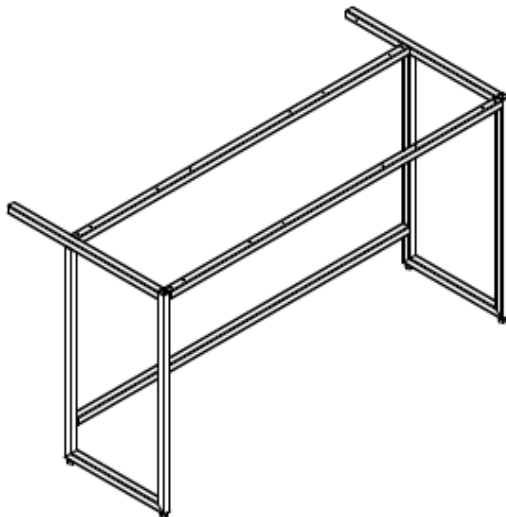
All D-Frames assemblies should be manufactured from standard hollow metal sections; confirming to I.S. Code 7138:1973 (Indian Standard specification for steel tubes for furniture) and all sheet metal components should be of CRCA confirming to IS Code 513:1994.

The suspended under-bench welded units should be supported on heavy-duty steel frames fully carrying the load of worktops. Its superior strength combined with aesthetically appealing end caps shall give maximum flexibility and modularity while making a layout. D-frame should be constructed from a square pipe with a cross section of 30mm x 30mm and should be a minimum 1.6 mm thick. The D-frame legs should be supplied with adjustable levelling screw (M-10 levelers of Nylon + MS, tolerance from -5mm to +15mm) to correct the unevenness of flooring. The tubular enclosed type construction shall discourage dust accumulation and unwanted development of bacteria & fungus.

Drainage gradient should be well adjusted throughout the length of table and should have horizontal supports for drainage systems. It should be suitable for sitting and standing nominal heights of 750mm & 900mm respectively. The nominal table depths should be 450mm, 600mm, 750mm for wall side and 1050mm, 1200mm, 1500mm for Island tables. The Corner Units shall fit well with 750mm & 900mm table depths. All frame-work is should be pre-treated with superior pure epoxy powder coated finish. The D-Frames structure should be for suspended storage cabinets

HORIZONTAL MEMBERS

These should be made from square pipes of 1.6 mm thickness. Cross-sectional dimensions of the pipe should be 30 x 30mm with a minimum of 1.6 mm. They should be made of CRCA MS and coated with pure epoxy powder. These connect two D-Frames together as shown using C-clamps/U-clamps. Together with the D-Frames and Horizontal Members connected together, the skeletal structure of the work-bench is formed on which the worktop can be placed and the hanging-type storage cabinets can be suspended. Horizontal Members determine the width of the lab workbench as they form the member (distance) between two adjacent D-Frames. They should be available in various widths of 450, 600, 1050, 1200, and 1500.



COVER PANELS

All leg-space panels, rear cover panels, island side panels etc. should be made from CRCA MS panels of minimum 0.8mm thickness with pure epoxy powder coating

WELDED UNDER-BENCH STORAGE CABINETS

Under bench cabinets are to be pure epoxy powder coated with thickness of 40-60 microns and should

be suspended from tubular structure. The cabinet should have a corrosion resistance magnetic strip as shutter catch, shutter and drawer are to be equipped with 180degree cam lock. PP constructed semi recessed handle to be screw fitted to the shutters. Hinges are to be of SS-304 knuckle overlay type with 270 degree opening and 2 Nos of hinges are to be screw fitted to each shutter and cabinet.

Unit Construction:It should be Welded body construction with load bearing members such as top,bottom and stiffeners should have a minimum thickness of 0.8mm and drawer separator should be of 1.2mm thick.

Shelf: Should be made of 0.8mm thickness which should be adjustable to 6 steps of 50mm.

Shutter should be over-closing type.It has a sandwich door construction with shutter front & shutter cover with 1.2mm thick hinge stiffener. Empty gap should with filled with 15mm thick paper honeycomb for sound dampening.

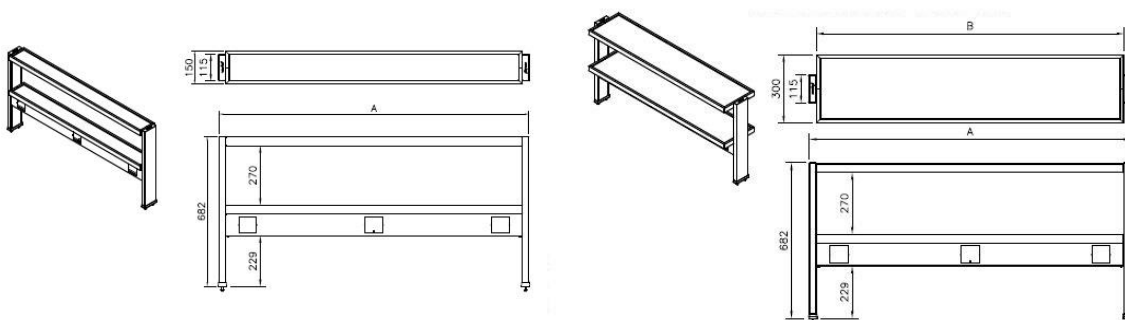
Drawer: Should be welded single piece construction with over-closing sandwich drawer front filled with 15mm thick paper honeycomb for sound dampening.Units should be in 450mm and 600mm widths.

DROPPER

All the service lines (ex. Gas lines, electrical lines, water lines etc.) are to be drawn above the false ceiling through a service dropper of hollow cross section of size:115mm X45mm with minimum thickness of 0.8mm.

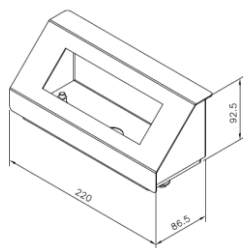
REAGENT SHELVES

Fixed-Type reagent shelves should be provided. It should be complete modular design consisting of 2 stage horizontal storage shelves. 270mm gap to be maintained between two shelves. Reagent shelf post should have a cross section of 115mm x 30mm hollow structure of 1.2mm thick. Welded frames to be screw fitted between two posts and to be made of 1.2 mm thick and metal shelves of 0.8mm thick CRCA MS with pure epoxy powder coating sheets to kept in between the frames. The shelves can be removed for cleaning purpose. A total depth of reagent shelves to be maintained at 150mm for wall benches and 300mm for island benches. Reagent shelves modules to have electrical book and having cutouts for electrical switches and sockets.



ELECTRICAL TRUNKING

Used for housing electrical switches and sockets,its top panel, bottom panel of the trunkingshould be made from minimum of 0.8mm thick body. It should be available in both, single sided and double-sided configurations. It should be made from CRCA MS with pure epoxy powder coating. The front surface that houses the electrical points should have a slope.



WELDED OVER HEAD STORAGE CABINETS

Over head cabinets are to be pure epoxy powder coated with thickness of 40-60 microns and should be fixed on the wall. The cabinet should have a corrosion resistance magnetic strip as shutter catch, shutters are to be equipped with 180 degree cam lock. PP constructed semi recessed handle to be screw fitted to the shutters. Hinges are to be of SS-304 knuckle overlay type with 270 degree opening and 2 nos of hinges are to be screw fitted to each shutter and cabinet.

Unit Construction: It should be Welded body construction with load bearing members such as top, bottom and stiffeners should have a minimum thickness of 0.8 mm.

Shelf : Should be made of 0.8mm thickness which should be adjustable to 6 steps of 50mm.

Shutter should be over-closing type. It has a sandwich door construction with shutter front & shutter cover with 1.2mm thick hinge stiffener. Empty gap should with filled with 15mm thick paper honeycomb for sound dampening. Units should be in 450mm and 600mm widths.

SERVICE FITTINGS AND ACCESSORIES

Service fittings should be laboratory grade, and water faucets and valve bodies should be cast red brass alloy or bronze forgings, all fittings should be powder plated unless specified otherwise.

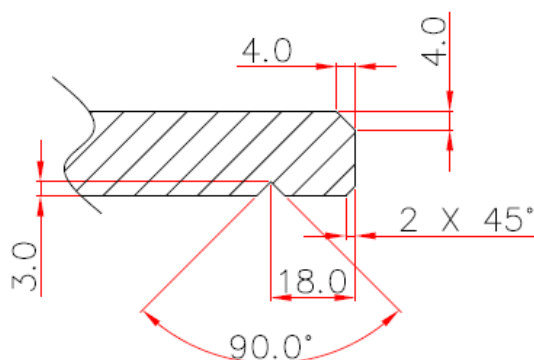
Service Indexes: Fittings should be identified with service indexes in the color coding as per DIN 12920.

LABORATORY SINK AND ACCESSORIES

Polypropylene Molded Sinks: Made up of 5 mm thick high density and elastic poly propylene with good resistance to organic solvents. Bowl size to be a minimum of (L x W x D) 560 x 355 x 200 mm. Faucet should be 3-way type faucet of reputed make (Ex. Premier Polymer)

WORKTOP

It should be 20mm (+/- 2mm) thick Jet Black Granite worktop. The exposed edges of the worktop should be chamfered and smoothed. The bottom of the worktop should be polished and there should be a V-groove throughout the length of the exposed edges to protect the cabinets from coming in contact with the spillages. The overhang on the storage cabinet is 25 mm at the front side and 25 mm at the sides. The backing material used is a neoprene mat of 6 mm thickness. A representation the worktop edges is shown as under



2. Revolving lab Stool with height adjustment and Back Hi Base:

The seat shall be made up of 1.2±0.1cm thick flat plywood measured as per QA method described in OCP-QLTA-P14-18 and with moulded Polyurethane foam and are upholstered with replaceable

synthetic leather covers. The dimensions of Seat shall be Diameter 40.0 cm and Adjustments are 360° Revolving type. The HR polyurethane Foam shall be moulded with density = 45 +/-2 kg/m³ and Hardness load 16 ± 2 kgf as per IS:7888 for 25% compression. The manual height adjustment shall be very easy to operate with a help of a knob. It should be easily locked at the most comfortable position. The five-prong pedestal shall be fabricated from 0.2 ± 0.02 cm thick HR sheet (IS : DD 1079/HR), powder coated (DFT 40-60 microns) and shall be fitted with an injection moulded black Polypropylene Hub Cap and 5 nos. twin wheel castors. The Pedestal shall be 55.0±0.5cm pitch-circle-diameter (65.0±1.0cm with castors), Circular-foot-ring of dia 52.0±0.2cm shall be made up of dia 1.9±0.2 x 0.12±0.0096cm thk MS ERW Tube for foot support in High-base stool. The twin wheel castors shall be injection moulded in Black Nylon. Overall dimensions shall be Width- 65.0cm, Depth- 65.0 cm, Height- 88.0 to 99.5 cm, Seat Height- 67.0 to 78.5 cm

3. Glass doors:

(heavy duty 14 gauge 4" frame aluminium powder coated frame with 6 mm toughened glass with 5mm Bakelite sheet complete with lock, handle, stopper and door closer (2 nos. doors approximate area 170 sq. ft.)

4. Air Curtain:

Product Dimension: LBH 900X230X215mm Colour: White, Wall mounting, Power Consumption: 450W, Input Voltage: 230V/50hz/Single phase, Motor : One ¼ hp double shaft +one 1/6hp single shaft, double-speed RPM-2650, Metal sheet with powder coating finish Three blower , centrifugal type ABS, with cover, Air velocity :18 to 21(m/s), Air volume: 2027 (m³/h) Noise Level: 54DB.

5. Supply and installation of customised Roller Window Blinds:

Polyester fabric, waterproof, anti-static, dust-proof roller shades for windows, Thermal Insulated Fabric as per the approved colour and Size.